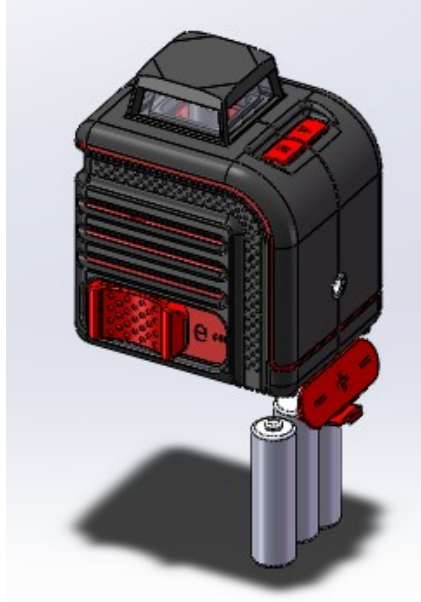
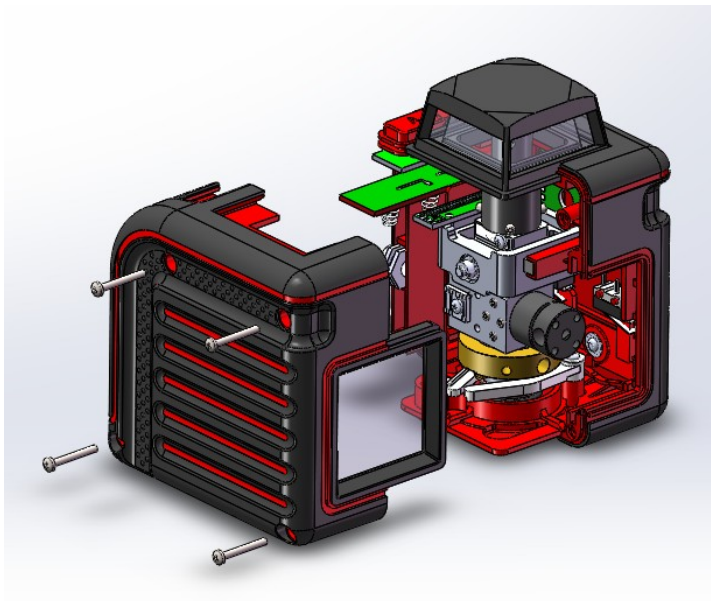


1V360 REPAIR MANUAL

1. Take out the batteries!

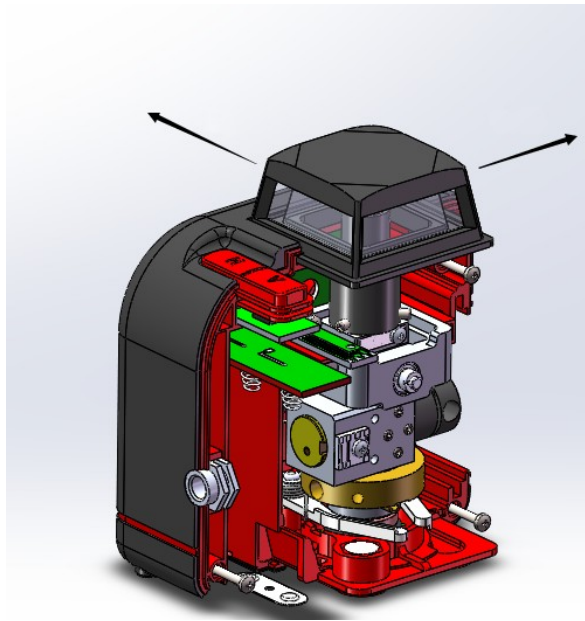


2. Loosen the 4pcs of screws, be careful not to touch the wire (copper wire)

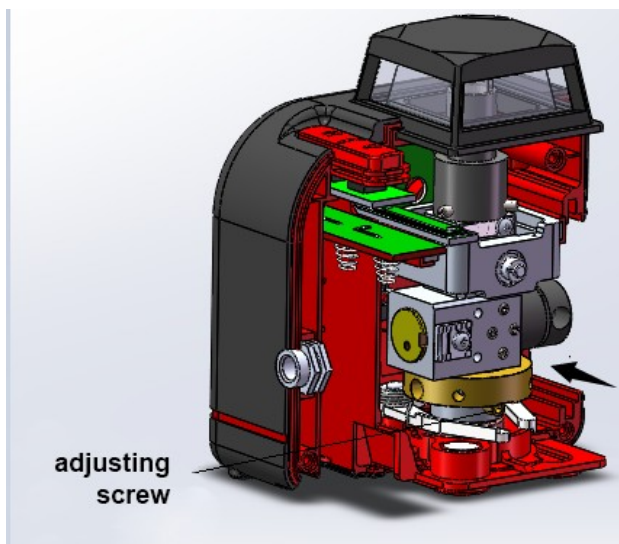
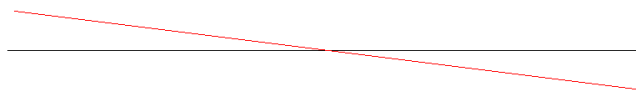


3. Switch on the product to adjust the line!

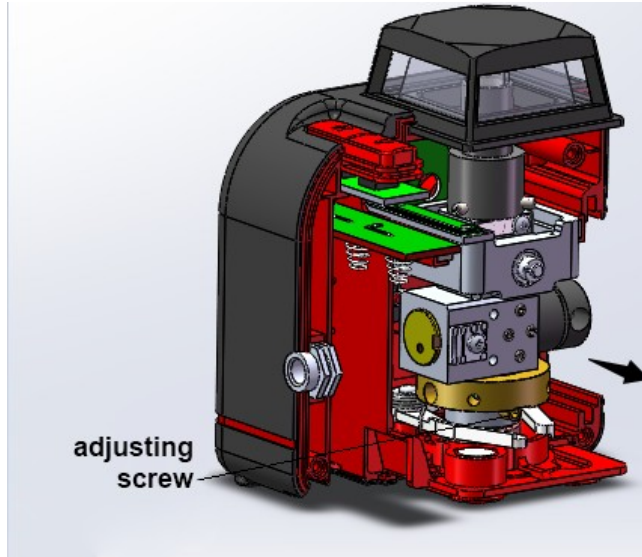
3.1



3.1.1 x direction: red line is the laser line, black line is the base (standard) line!

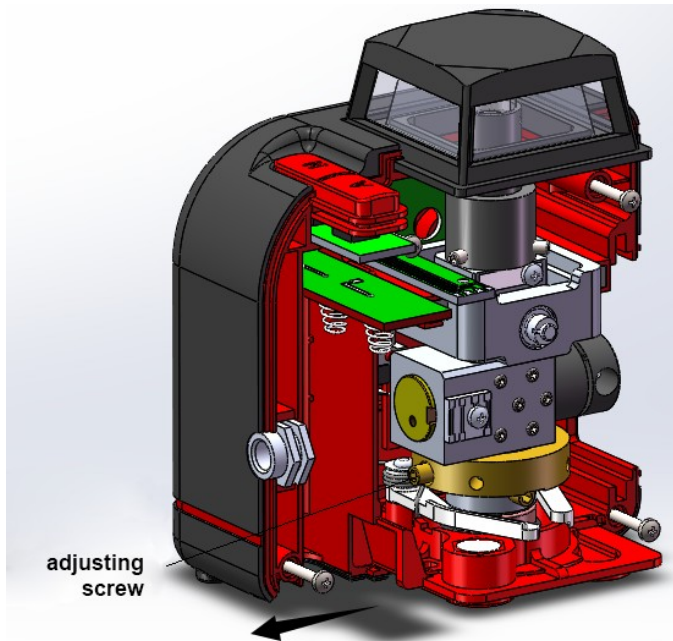


Adjust the screw which is shown on the picture to let the two lines are covered together!
(Attention: when finished the adjustment, use the glue to fix the screw!)

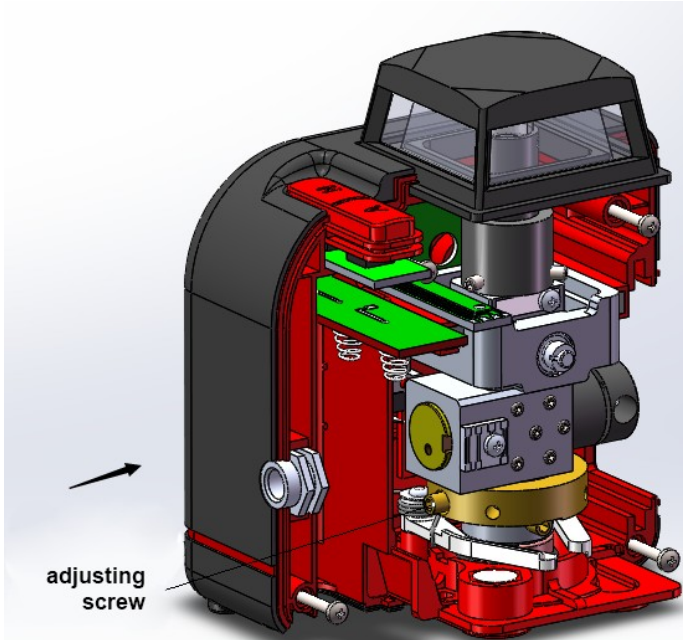
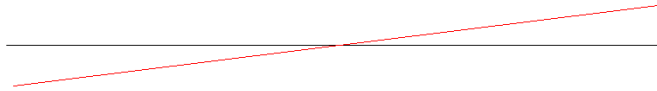


Adjust the screw which is shown on the picture to let the two lines are covered together!
(Attention:when finished the adjustment,use the glue to fix the screw!)

3.1.2 Y direction. red line is the laser line,black line is the base(standard) line!

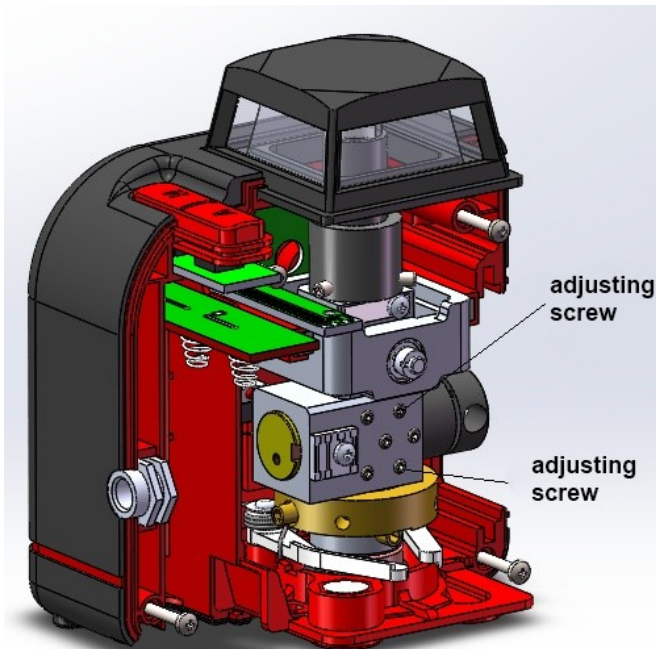


Adjust the screw which is shown on the picture to let the two lines are covered together!
(Attention:when finished the adjustment,use the glue to fix the screw!)

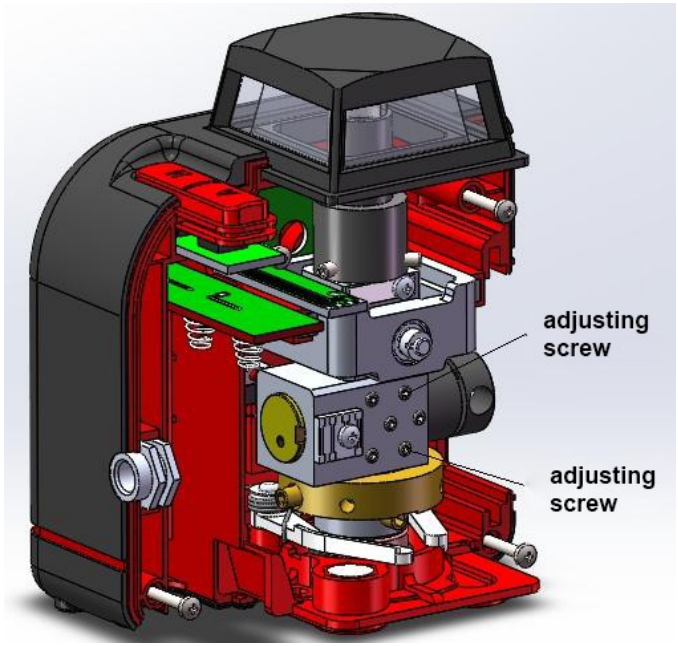


Adjust the screw which is shown on the picture to let the two lines are covered together!
(Attention:when finished the adjustment,use the glue to fix the screw!)

3.2 Adjust the vertical line,red line is laser line,black line is the base(standard) line!



To adjust the two screws which is shown on the picture to keep the red laser line to covered with the base line completely,after finished,use the glue to fix the screw!



To adjust the two screws which is shown on the picture to keep the red laser line to covered with the base line completely,after finished,use the glue to fix the screw!

After finish the adjustment,assemble the product!!