

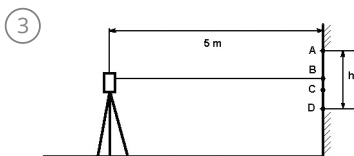
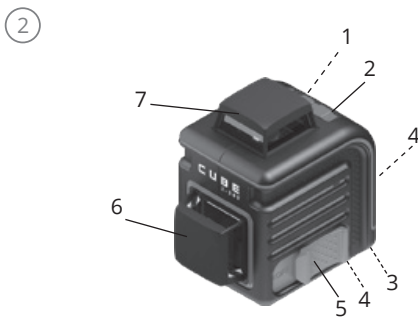
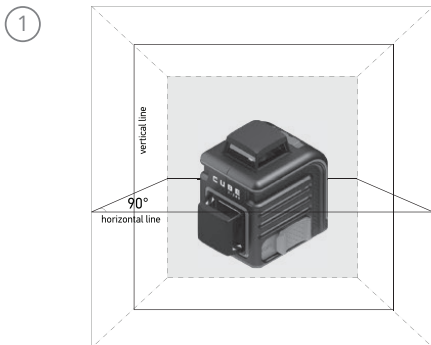


OPERATING MANUAL

CUBE 2-360 GREEN

Line Laser

adainstruments.com



THE MANUFACTURE RESERVES THE RIGHT TO MAKE CHANGES (NOT HAVING AN IMPACT ON THE SPECIFICATIONS) TO THE DESIGN, COMPLETE SET WITHOUT GIVING PRIOR WARNING.

APPLICATION

Line laser ADA CUBE 2-360 Green is designed to check the horizontal and vertical position of the surfaces of the elements of building structures and also to transfer the angle of inclination of the structural part to similar parts during construction and installation works.

SPECIFICATIONS

Laser beam	Horizontal line 360°/vertical line 360°
Light sources	2 laser diodes with laser emission wave length of 532 nm
Laser safety class	Class 2, <1mW
Accuracy	±3mm/10m
Self-leveling range	±4°
Operating range with/without receiver	230/130 ft (70/40 m)
Power source	Li-ion battery 3.7 V / 3xAA 1,5V
Tripod thread	2x1/4"
Operating temperature	-5°C +45°C
Weight	0,86 lb (390 g)

FUNCTIONAL DESCRIPTION

1. Emitting a horizontal and vertical laser line.
2. Quick self-leveling: when line accuracy is out of the range the laser line flashes and the warning sound is produced.
3. Compensator locking system for safe transportation.
4. Intermediate compensator locking system for slope operation.
5. Indoor and outdoor performance function.

① **LASER LINES**

② **FEATURES**

1. Vertical laser beam (V) / Horizontal laser beam (H)
2. Detector mode
3. Battery compartment
4. Tripod mount 1/4"
5. Compensator switch (ON/X/OFF)
6. Vertical laser window
7. Horizontal laser window

SAFETY INSTRUCTIONS

Please follow up instructions given in operating manual. Do not stare into beam. Laser beam can lead to eye injury (even from greater distances). Do not aim laser beam at persons or animals. The laser plane should be set up so that the beam path is not at normal eye level. Use the line laser for measuring jobs only.

Do not open line laser housing. Repairs should be carried out by authorized workshops only. Please contact your local dealer. Do not remove warning labels or safety instructions. Keep line laser away from children. Do not use line laser in explosive environment.

OPERATION

Cube 2-360 Green is a reliable and convenient line laser. It will be irreplaceable instrument for many years.

1. Before use, remove battery compartment cover. Insert three batteries into battery compartment with proper polarity, then put the cover back.

2. Set the compensator locking grip (5) into ON position.

If the switch is ON, that means the power is on and the compensator is working. If the switch (5) is in intermediate position, that means the power is opened, the compensation is still locked, but it will not warn if you issue the slope. It's the hand-mode.

If the switch (5) is OFF, that means that the line laser is off, the compensator is also locked.

3. Press button (1) to switch the vertical beam on. Press button (1) once again to switch the horizontal beam on. Press button (1) to switch the horizontal and vertical beams on. Switch on only necessary laser lines in order to save battery life.

4. Press button (2). The mode "outside" is activated. Press button (2) once again. The tool begins to operate in "inside" mode. Use the detector of laser beam for this mode. See the operating manual for the operation with detector.

TO CHECK THE ACCURACY

③ TO CHECK THE ACCURACY OF LINE LASER (SLOPE OF PLANE)

Place the line laser on the tripod 5m away from the wall so the horizontal laser line will be directed to the wall.

Switch on the power. The line laser starts to self-level. Mark point A on the wall to show the contact of laser beam with the wall. Turn the line laser by 90° and mark points B, C, D on the wall. Measure distance "h" between the highest and lowest points (these are A and D points in the picture).

If "h" is ≤ 6 mm, the measurement accuracy is good. If "h" exceeds 6 mm, apply service center.

TO CHECK PLUMB

Choose a wall and set laser 5m away from the wall. Mark point A on the wall, please note the distance from point A to ground should be 3m. Hang a plumb line from A point to ground and find a plumb point B on ground. turn on the laser and make the vertical laser line meet the point B, along the vertical laser line on the wall and measure the distance 3m from point B to another point C. Point C must be on the vertical laser line, it means the height of C point is 3m.

Measure the distance from point A to point C, if the distance is over 2 mm, please, contact with seller to calibrate the laser.

CARE AND CLEANING

Please handle measuring line laser with care. Clean with soft cloth only after any use. If necessary damp cloth with some water. If line laser is wet clean and dry it carefully. Pack it up only if it is perfectly dry. Transport in original container/case only.

Note: During transport On/Off compensator lock (5) must be set to position "OFF". Disregard may lead to damage of compensator.

SPECIFIC REASONS FOR ERRONEOUS MEASURING RESULTS

- Measurements through glass or plastic windows;
- Dirty laser emitting window;
- After line laser has been dropped or hit. Please check the accuracy;
- Large fluctuation of temperature: if instrument will be used in cold areas after it has been stored in warm areas (or the other way round) please wait some minutes before carrying out measurements.

ELECTROMAGNETIC ACCEPTABILITY (EMC)

- It cannot be completely excluded that this instrument will disturb other instruments (e.g. navigation systems);
- will be disturbed by other instruments (e.g. intensive electromagnetic radiation nearby industrial facilities or radio transmitters).

PRODUCT LIFE

Product life of the tool is 7 years. The battery and the tool should never be placed in municipal waste. Date of production, manufacturer's contact information, country of origin are indicated on the product sticker.

4

LASER CLASS 2 WARNING LABEL ON THE LINE LASER

LASER CLASSIFICATION

The line laser is a laser class 2 laser product according to DIN IEC 60825-1:2014. It is allowed to use unit without further safety precautions.

WARRANTY

This product is warranted by the manufacturer to the original purchaser to be free from defects in material and workmanship under normal use for a period of two (2) years from the date of purchase. During the warranty period, and upon proof of purchase, the product will be repaired or replaced (with the same or similar model at manufacturer's option), without charge for either parts or labour. In case of a defect please contact the dealer where you originally purchased this product. The warranty will not apply to this product if it has been misused, abused or altered. Without limiting the foregoing, leakage of the battery, bending or dropping the unit are presumed to be defects resulting from misuse or abuse.

EXCEPTIONS FROM RESPONSIBILITY

The user of this product is expected to follow the instructions given in operator's manual. Although all instruments leave our warehouse in perfect condition and adjustment the user is expected to carry out periodic checks of the product's accuracy and general performance. The manufacturer, or its representatives, assumes no responsibility for results of a faulty or intentional usage or misuse including any direct, indirect, consequential damage, and loss of profits. The manufacturer, or its representatives, assumes no responsibility for consequential damage, and loss of profits by any disaster (earthquake, storm, flood ...), fire, accident, or an act of a third party and/or a usage in other than usual conditions.

The manufacturer, or its representatives, assumes no responsibility for any damage, and loss of profits due to a change of data, loss of data and interruption of business etc., caused by using the product or an unusable product. The manufacturer, or its representatives, assumes no responsibility for any damage, and loss of profits caused by usage other than explained in the user's manual.

The manufacturer, or its representatives, assumes no responsibility for damage caused by wrong movement or action due to connecting with other products.

WARRANTY DOESN'T EXTEND TO FOLLOWING CASES:

1. If the standard or serial product number will be changed, erased, removed or will be unreadable.
2. Periodic maintenance, repair or changing parts as a result of their normal runout.
3. All adaptations and modifications with the purpose of improvement and expansion of normal sphere of product application, mentioned in the service instruction, without tentative written agreement of the expert provider.
4. Service by anyone other than an authorized service center.
5. Damage to products or parts caused by misuse, including, without limitation, misapplication or negligence of the terms of service instruction.
6. Power supply units, chargers, accessories, wearing parts.
7. Products, damaged from mishandling, faulty adjustment, maintenance with low-quality and non-standard materials, presence of any liquids and foreign objects inside the product.
8. Acts of God and/or actions of third persons.
9. In case of unwarranted repair till the end of warranty period because of damages during the operation of the product, it's transportation and storing, warranty doesn't resume.

WARRANTY CARD

Name and model of the product _____

Serial number _____ Date of sale _____

Name of commercial organization _____

stamp of commercial organization

Warranty period for the instrument exploitation is 24 months after the date of original retail purchase.

During this warranty period the owner of the product has the right for free repair of his instrument in case of manufacturing defects.

Warranty is valid only with original warranty card, fully and clear filled (stamp or mark of the seller is obligatory).

Technical examination of instruments for fault identification which is under the warranty, is made only in the authorized service center. In no event shall manufacturer be liable before the client for direct or consequential damages, loss of profit or any other damage which occur in the result of the instrument outage.

The product is received in the state of operability, without any visible damages, in full completeness. It is tested in my presence. I have no complaints to the product quality. I am familiar with the conditions of warranty service and I agree.

purchaser signature _____

Before operating you should read service instruction!

If you have any questions about the warranty service and technical support contact seller of this product



ADA International Group Ltd., No.6 Building, Hanjiang West Road #128,
Changzhou New District, Jiangsu, China

Made In China

adainstruments.com

